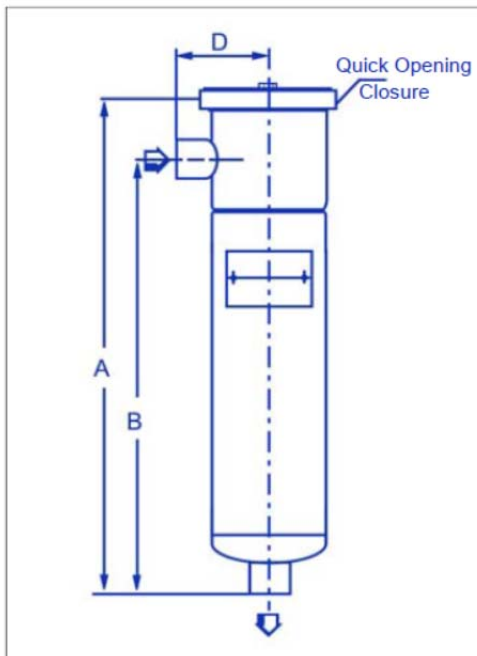


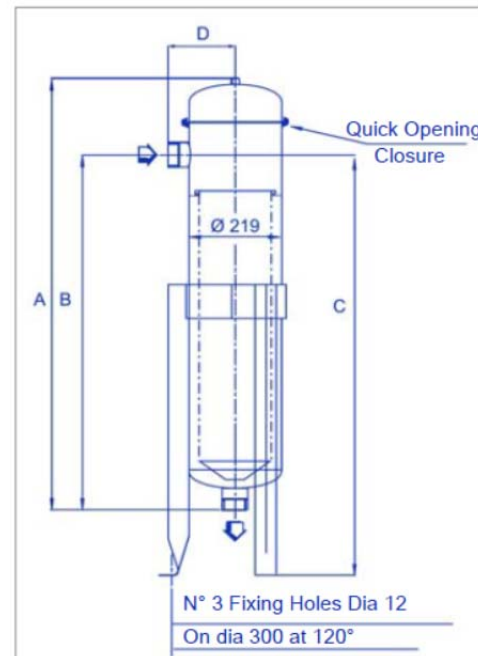
## TECHNICAL SPECIFICATION



- Materials part in contact with fluid AISI 316/L
- Construction according PED Regulation 2014/68/UE
- Designed for flow rate up to 40 mc/h and pressure up to 9 bar.
- Manufacture with bottom outlet connection for complete vessel drainage.
- Vessels suitable to hold bags with different standard dimensions (size 1,2,3,4), materials, (polypropylene, polyester, nylon, PTFE, NOMEX®, etc.) and ratings (from 1 to 1000 micron).
- Quick closure wit V-clamp:
- Gasket: EPDM, Buna N, Viton, PTFE, silicone and PTFE
- Fitted with stainless steel adjustable legs.
- This series of filters is suitable ONLY to filter Liquid Group 2 in accordance with PED Directive.
- Available upon request filters suitable for dangerous liquid and gas or special model.



Filter ' s configuration for bag size 3 & 4



Filter ' s configuration for bag size 1 & 2

MODELS	MAX OPERATING PRESSURE	STANDARD CONNECTIONS		NR. AND BAG TYPE	DIMENSIONS mm				FLOW RATE (3) mc/h	VOLUME liters
		in/out	vent		A	B	C	D		
EFSEV013 (1)	9 bar@60°C	1.1/2" gas f.	1/4" gas f	Nr. 1 size 3	369	309	-	95	6	3,15
EFSEV014 (2)	9 bar@60°C	1.1/2" gas f.	1/4" gas f	Nr. 1 size 4	501	441	-	95	12	4,45
EFSEV011	8 bar@60°C	2" gas m.	1/4" gas f	Nr.1 size 1	702	515	Min. 750 Max. 1025	155	20	22
EFSEV012	8 bar@60°C	2" gas m.	1/4" gas f	Nr. 1 size 2	1047	855	Min. 980 Max. 1350	155	30	34

1. Adjustable legs available only upon request  
2. Please contact our technical office for pressures and temperatures different from those above indicated.  
3. Vessels Flow rate without cartridges, referred to liquid with viscosity 1 cSt.  
The effective flow rate of each housing can be defined in relation of bags type and process data.  
4. Available upon request with connections different



A) Volume reducer

B) Bag positioner

C) Magnetic candles

D) Heavy-duty restrainer basket